



Gujarat Mineral Development Corporation Limited

Tender Document For

**Supply of Spares for STG & BOP of
GMDC's 2x125 MW Akrimota Thermal Power Station**

Tender Number: GMDC/POWER/ATPS/04/25-26

**Project Director (ATPS)
Akrimota Thermal Power Station(ATPS)
Gujarat Mineral Development Corporation Ltd.
(A Govt. Of Gujarat Enterprise)**

CIN: L14100GJ1963SGC001206, GST: 24AAACG7987P1ZT

Village: Nanichher, Taluka: Lakhapat, District: Kutch, Gujarat-370602

E-mail: jndave@gmdcltd.co.in, Website: www.gmdcltd.com



Contents

Cl. No.	Particulars	Page No.
1.	Purpose of the Document	8
2.	About GMDC	8
3.	Location of Work	8
4.	About ATPS Project	8
5.	General Instructions to Bidder	9
5.1	Cost of Bidding	9
5.2	Due Diligence	9
5.3	Clarification of Bidding Documents	9
5.4	Amendment of Tender Document	9
5.5	Contact Details	10
5.6	Language of Bid	10
5.7	Late Bids	10
5.8	Right to Accept Proposal	10
5.9	Site Visit	10
5.10	Period of Validity of Bids	11
5.11	Subcontract	11
5.12	Consortium / Joint Venture	11
5.13	Change in Law	11
5.14	Interpretation	12
5.15	Declaration	12
6.	Earnest Money Deposit	12
7.	Tender processing Fee	13



8.	Security Deposit	13
9.	Procedure for Submission of the Bid	14
10	Eligibility and Qualification Criteria of Bidder	15
10.1	Experience	15
10.2	Financial	16
10.3	Site Visit Certificate	16
10.4	Blacklisting of the Bidder	16
11	Evaluation of Bids	16
11.1	Completeness of Bids	17
11.2	Tender Clarifications	17
11.3	Rejection of Bids	17
11.4	Opening of Bids	17
11.5	Selection of Bidder	17
11.6	Discussion	18
11.7	Acceptance of LOI	18
12.	Scope of Work with BOQ	18
13.	Period and Duration of Work	22
14.	Liquidated Damages (LD)	22
15	Measurements	23
16.	Transit Insurance	23
17.	Goods & Service Tax	24
18.	Payment	24
19.	Mode of Payments	25
20.	Performance Guarantee	25
21.	Bankruptcy	26



22.	Notice	26
23.	Canvassing Not Permitted	26
24.	Non-Fulfilment of Terms and Condition of The Contract	27
25.	General Conditions	27
26.	Statutory Obligation	28
27.	Termination of Contract	30
28.	Governing Law	31
29.	Jurisdiction	31
30.	Arbitration	31
31.	Completion of Work	31
32.	Accident and Responsibilities of Bidder	32
33.	Foreclosure	32
34.	Force Majeure	32
	Annexure – A, Instruction to Bidders for Online Tendering	34
	Annexure – B List of Banks for submission on EMD	35
	Annexure – C Bank Detail for RTGS	36
	FORM – PA to PG	37 to 43
	PRICD BID FORM – PP	44
	Format of Bank Guarantee for EMD	49
	Format of Bank Guarantee for SD	53



TENDER NOTICE

Tender Number: GMDC/POWER/ATPS/04/25-26

Brief Description of work	Supply of Spares for STG & BOP of GMDC's 2x125 MW Akrimota Thermal power station.
Location of Work	2x125 MW Akrimota Thermal Power Station, Village: Nani chher, Taluka: Lakhpat, District: Kutch, Gujarat.
Period of contract	The period of contract will be 03 (Three) Month from the date of acceptance of LOI.
Estimated Contract Value	Approximately Rs 1110728/- Lakh (Rupees Eleven lakh ten thousand seven Hundred twenty eight only) for total work excluding GST.
Availability of Tender	Tender Document will be available on the GMDC website (www.gmdcltd.com) and nprocure portal (https://gmdctender.nprocure.com). Price Bids shall be required to be submitted online only on the n-procure portal (https://gmdctender.nprocure.com).
EMD (Earnest Money Deposit)	<p>Rs.33500/- (Rupees Thirty three thousand Five hundred only) in Form of</p> <ul style="list-style-type: none"> ➤ DD in favour of GMDC Ltd. Payable at Panandhro, Kutch-370601 ➤ Digital Mode, please note if payment is made through Digital Mode kindly submit the receipt of the same in the attached documents. RTGS details for payment (Annexure-B) <p>Bank of Baroda, Panandhro Branch, Panandhro, Ta.Lakhpat, kutch-370601</p> <p>Account Number: 90580400000264 RTGS IFSC: BARB0DBPDRO (FIFTH DIGIT IS ZERO)</p> <p><i>Relaxation in terms of submission of EMD shall be given to the bidder who is holding valid Certificate issued under the MSME Act, 2006 on the date of submission of Tender.</i></p>



Tender Processing Fee	<p>Rs.1500/- (Two Thousand five hundred only) plus GST @ 18% aggregating to Rs.1770/- payable by Demand Draft/ Pay Order drawn in favour of “GMDC Ltd.” payable at Panandhro, Kutch.</p> <p><i>Relaxation in terms of submission of Tender Processing Fee shall be given to the bidder who is holding valid Certificate issued under the MSME Act, 2006 on the date of submission of Tender.</i></p>
Commencement of tender	From – 6th January 2026
Last date for download the tender document.	28 th January 2026 up to 18.00 Hours
Last date of submission of bid through online	28 th January 2026 up to 18.00 Hours
Last date of submission of physical documents i.e. EMD, Tender Processing Fee etc.	28 th January 2026 up to 18.00 Hours at ATPS, GMDC, Nani Cher, Kutch
Date and time for online opening of preliminary bid.	28 th January 2026 at 18:10 Hours onwards
General and Important Terms and Conditions	<ol style="list-style-type: none"> 1. GMDC reserves absolute right/discretion to accept and/or reject any or all the tenders received or invite fresh bid at any stage or split the work between more than one Bidders as the case may be. 2. The Bidders are required to quote the rate as per the terms and conditions mentioned in the Tender document. Conditional tender shall not be entertained and will be rejected summarily without assigning any reasons, whatsoever. 3. GMDC may issue amendments/corrigendum in the tender documents, schedule, forms etc. at any time during the period between publication of notice and submission of bids of the tender on website. The Bidders in their own interest are advised to visit the website regularly till the last date of submission of the bid. No separate newspaper advertisement will be released for amendments/corrigendum. 4. GMDC reserves the rights to modify or alter any Condition of the Tender. 5. The Bidders are advised to submit their price bid online on https://www.gmdctender.nprocure.com only. Physical price bid shall not be accepted and shall be rejected summarily without assigning any reasons, whatsoever.



- | | |
|--|--|
| | <p>6. Failure to submit online bid in stipulated time due to any reason whatsoever by any Bidder shall result in disqualification of bid. In such circumstances, bid submitted physically along with supporting documents, tender processing fees, EMD amount etc. shall not be considered as bid submitted and the same will be returned back to the Bidder without opening the same. GMDC reserves the right to take suitable decision in this regard.</p> |
|--|--|



1. Purpose of the Document

The Tender Document (this document) floated by GMDC (Gujarat Mineral Development Corporation Limited), A Government of Gujarat Enterprise is to select a successful bidder who would be responsible for carrying out the Supply of spares for STG & BOP site at GMDC 2x125 MW Akrimota thermal Power station at the quoted commercials and executed contract terms & conditions.

2. About GMDC

Gujarat Mineral Development Corporation Limited herein after referred to as GMDC, a Government of Gujarat Enterprise, is a pioneer company in the field of mining for six decades, catering to the needs of the minerals and solid fuel for the industries based in Gujarat. GMDC's mining activities are spread all over Gujarat. It is currently dealing in minerals like Lignite, Bauxite, Fluorspar, Ball Clay, Silica sand and Manganese. GMDC has also set up a 250 MW lignite based Thermal Power Station at Nani Chher in Kutch, Wind power plants of 200.9 MW at Maliya, Jodiya, Godsar, Bhanvad, Bada, Varvada, Rojmal and Solar Power plant of 5 MW at Panandhro Project.

3. Location of Work

Akrimota Thermal Power Plant Station (ATPS) is located at Village Nani Chher of Lakhpat Taluka in Kutch District of the Gujarat State. The project is located about 150 kms from Bhuj. The nearest Railway Station and Airport is at Bhuj.

4. About ATPS

GMDC has 2 x 125 MW Thermal Power Project called ATPS. Both the units have been in commercial operation since May, 2006. It is getting Lignite from its own mines located at Mata no Madh and Umarsar. The water requirement for the power plant is taken from the nearest Kori Creek through a 1.4 KM long sea water intake channel. The CFBC boiler is used here as it is environment friendly and controls sulphur in the flue gas emission. A 100 metre thick green belt surrounds the entire site. State of the art technology DCS has been used.



5. General Instructions to Bidder

The section aims to provide guidelines/Instructions for Bidders, to be used while submitting the Proposals.

5.1 Cost of Bidding

The Bidder shall bear all costs associated with the preparation and submission of its bid and GMDC LTD., shall under no event or circumstance be held responsible or liable for these costs, regardless of the conduct or outcome of the bidding process.

5.2 Due Diligence

The Bidder is expected to and shall be deemed to have examined all instructions, forms, terms and specifications and other information in this Tender Document. The bid should be precise, complete and in the prescribed format as per the requirement of the Tender Document. Failure to furnish all information required by the Tender Document or submission of a bid not responsive to the Tender Document in every respect will be at the Bidder's risk and may result in rejection of the bid. GMDC LTD. shall at its sole discretion be entitled to determine the adequacy/ sufficiency of the information provided by the Bidder.

5.3 Clarification of Bidding Documents

GMDC LTD. shall make best efforts to respond to any request for clarification of the Tender Document. The response/clarification shall to the extent possible be made in writing.

5.4 Amendment of Tender Document

At any time before the deadline for submission of bids, GMDC LTD may modify the tender Document for any reason, whether at its own initiative or in response to a clarification requested by a prospective Bidder, modify the Tender Document by amending, modifying and/or supplementing the same. Any amendments/modifications in the tender document would be displayed on GMDC Web Site/nprocure website and all such amendments shall be binding on the Bidder without any further act or deed on GMDC LTD part. In the event of any amendment, GMDC LTD reserves the right to extend the deadline for the submission of the bids, in order to allow prospective Bidder reasonable time in which to take the amendment into account while



preparing their bids. GMDC LTD may at its sole discretion, extend this deadline for submission of bids by amending the bid documents.

5.5 Contact Details

All inquiries concerning this procurement are to be addressed to the following:

Project Director (ATPS)
Akrimota Thermal Power Station, Village: Nanichher, Taluka: Lakhapat, District: Kutch,
Gujarat-370602
E-mail: jndave@gmdcltd.com, Website: www.gmdcltd.com

5.6 Language of Bid

All Proposals and various documents related to these Proposals should be in English Language. All correspondence between GMDC LTD., and the Bidder would also be in English Language. Supporting Documents and Printed Literature furnished by the Bidder may be in another Language provided the same are accompanied by an accurate translation in English Language.

5.7 Late Bids

Any bid received by GMDC LTD. after the deadline for submission of bids prescribed by GMDC LTD., summarily rejected. GMDC LTD. shall not be responsible for any postal delay or non-receipt /non-delivery of the documents. No further correspondence on this subject will be entertained.

5.8 Right to Accept Proposal

GMDC LTD reserves the right to accept or reject any Proposal, and to annul the Proposal process and reject all Proposals at any time prior to award of contract, without thereby incurring any liability to the affected Bidder or any obligation to inform the affected Bidder of the grounds for such decision.

5.9 Site Visit

Bidders are advised to visit the site to study the actual working conditions, before submission of the bid and shall have to submit the site visit declaration in the prescribed format. The



information/details given in the tender document are only to describe the magnitude of work and are for mere guidance to the Bidders.

Any neglect or failure on the part of the Bidder in obtaining necessary and reliable information upon the foregoing or any other matters affecting the contract shall not relieve him from any risks or liabilities or the entire responsibility from completion of the work at the contracted rates and time in strict accordance with the contract documents.

5.10 Period of Validity of Bids

Bids shall remain valid for 180 days after the date of bid opening prescribed by GMDC LTD, pursuant to the Tender schedule mentioned in this document. In exceptional circumstances, GMDC LTD. may solicit the Bidder's consent to an extension of the period of validity. The request and the response thereto shall be made in writing. Extension of validity period by the Bidder shall be unconditional.

5.11 Subcontract

The Successful bidder shall not assign or sub-contract any portion of this work without prior written consent of GMDC.

5.12 Consortium / Joint Venture

Consortium / Joint Venture are not allowed.

5.13 Change in Law

Nothing in this contract shall entitle the Bidder to claim additional payment against the work executed or being executed or likely to be executed upon the change in law by Government of India or State of Gujarat as regards any taxes, liabilities arising out of work contract, judgments of court etc. That nothing under the said laws shall create any additional liability on the GMDC over and above that set out herein. That unforeseen circumstances in the working of the said contract shall not entitle the Successful Bidder to abandon or demand additional payment under a different head not originally mentioned herein and hence nothing except what is contained in the present contract shall constitute binding obligations between parties.



5.14 Interpretation

That no communication preceding or following the present tender shall have any bearing on the terms and conditions set out herein. That no contract, promise or obligation shall arise out of the said communication, over and above what is set out herein above. That the terms contained herein constitute the entire bargain between the parties and shall not be interpreted in the light of commercial correspondence between the parties.

5.15 Declaration

The Bidder should submit the declaration regarding unconditional acceptance of all the terms and conditions of the Tender document including Annexure and corrigenda if any and it has not enclosed any conditional offer as per FORM PD provided in the Tender Document. GMDC is authorized to take suitable decision and action in case of requirement to amend/alter the contract conditions/quantities of the works/ extension of the contract period/allotment of additional works/revision of the rates of the work etc. if necessary, in the interest of GMDC.

The Successful bidder shall not change the constitution of the firm/name during the currency of the contract without prior approval of GMDC. Upon such change in constitution and/or name, Supplementary agreement to that effect shall be executed and if the SD is submitted in form of BG/FD then fresh BG in the name and/or constitution shall be submitted failing which necessary action as deemed fit by GMDC shall be taken.

6. Earnest Money Deposit

A non-interest-bearing Earnest Money Deposit 33500 /- (Rupees Thirty three thousand five hundred only) in any one of following form

- Demand Draft in favour of GMDC Limited Payable at Panandhro,kutch-370601.

OR

- Digital Mode, please note if payment is made through Digital Mode kindly submit the receipt of the same in the attached documents. RTGS details for payment (Annexure-B)
Bank of Baroda, Panandhro Branch, Panandhro, Ta:lakhpat,Kutch:370601.



Account Number: 90580400000264,

RTGS IFSC: BARB0DBPDRO (FIFTH DIGIT IS ZERO)

Relaxation in terms of submission of EMD shall be given to the bidder who is holding valid Certificate issued under the MSME Act, 2006 on the date of submission of Tender.

7. Tender Processing Fee

The Tender Processing Fee is to be paid at the time of submission of supporting document of technical bid in the form of Demand Draft or Digital Mode NEFT Transaction of Rs. 1500/- plus GST @ 18% (Rs. 270) aggregating Rs 1770/- as mentioned in tender notice in the sealed technical bid cover.

If the amount mentioned in the DD or NEFT is found short, the tender will not be considered for scrutiny and will be outrightly rejected.

Relaxation in terms of submission of Tender Processing Fee shall be given to the bidder who is holding valid Certificate issued under the MSME Act, 2006 on the date of submission of Tender.

8. Security Deposit

8.1 Security Deposit is measure of liquidated damages sustained by GMDC for not performing the contract satisfactorily. Nothing herein above shall disentitle GMDC from claiming the damages actually sustained in the value over and above the Security Deposit.

8.2 The successful bidder shall submit security deposit of 10% of the total contract value excluding Goods & Service Tax (GST) within 10 days from the date of receipt of LOI in any one of following form.

➤ Demand Draft in favour of GMDC Limited Payable at Panandhro, Kutch.

OR

➤ Bank Guarantee issued by banks approved by Govt. Of Gujarat from time to time (except Co-Operative bank) in the form and manner acceptable to GMDC (Govt. GR is annexed at "B" for approved bank). It should be valid for a period of six months beyond the contract period from the date of receipt of LOI and shall be renewed from time to time in case of requirement.



- 8.3** It shall be refunded to the Successful bidder, within a period of six months after satisfactory completion of the work and the due fulfilment of all the terms and conditions of the contract.
- 8.4** The Successful bidder shall obtain “No Dues Certificate”, and “Work Completion Certificate” from Project Director ATPS and shall submit the same to General Manager (Power) at ATPS, who after verification of the fact will arrange for refund of SD.
- 8.5** The successful bidder will also have to submit “NO DEMAND CERTIFICATE” along with the above mentioned certificate.
- 8.6** The SD deposited by the Successful bidder shall be forfeited if the successful bidder fails to adhere to fulfil the conditions of work order.
- 8.7** Security deposit shall not bear any interest under any circumstances.
- 8.8** GMDC will reserve the right to recover the charges or the liquidated damages from the Security Deposit in the following circumstances-
1. If the successful bidder or its employees causes any damage or destroy any property belonging to GMDC.
 2. The shortfall amount of all compensations, penalties, and other sums of money payable by the successful bidder or recoveries to be made under the terms of this contract which is due but not paid by the successful bidder in full, etc.
 3. Any other dues on account of statutory compliance.

9. Procedure for Submission of the Bid

- 9.1** Offers prepared in accordance with the procedures enumerated below.
- 9.2** Bid should be submitted **online** at www.nprocure.com on or before the last date and time as prescribed in this tender.
- 9.3** The Bidder should submit their bids in Three parts, these are
1. Prequalification bid (Details of EMD and Tender processing Fee),
 2. Technical Bid
 3. Price Bid.
- 9.4** Manual price bids or the bids submitted by e-mail etc. will not be accepted under any circumstances. No correspondence will be entertained on this matter.



9.5 Bidders are advised to follow the ‘Instructions for Bids Submission’ given annexure “A” for e-submission of the bids online through n-procure.

Documents should be submitted as per check list given in form “PA” through ‘off-line’ in the sealed cover super-scribed as **“Technical Bid for Tender Number GMDC/POWER/ATPS/04/25-26 and Name of work: “Supply of Spares for STG & BOP site at GMDC’s 2x125 MW Akrimota Thermal Power Station, Village: Nani chher, Taluka: Lakhpat, District: Kutch, Gujarat.”**

Bids must be submitted as per the schedule (date & time) indicated in tender notice.

10. Eligibility and Qualification Criteria of Bidder

10.1 Experience

The Bidders should have following minimum experience of having successfully completed similar works during last 7 (seven) years ending on last day of January 2025 (i.e. period from 01.12.2018 to 30.11.2025)

A. Three similar completed works each having amount of Rs 366540 (Rupees Three lakh sixty six thousand five hundred forty Only) or more during last 7 (seven) years. (i.e. period from 01.12.2018 to 30.11.2025)

OR

B. Two similar completed works each having amount of Rs 555364/- (Rupees Five lakh fifty five thousand three hundred sixty four Only) or more during last 7 (seven) years. (i.e. period from 01.12.2018 to 30.11.2025)

OR

C. One similar completed work having amount of Rs 888582/- (Rupees Eight lakh eight thousand five hundred eighty two Only) or more during last 7 (seven) years. (i.e. period from 01.12.2018 to 30.11.2025)

➤ Similar works means the Bidders should have experience to carry out Supply of industrial spares and should have been carried out under the single LOI/Work Order/Agreement for Government/Semi Government / Corporation/Private Limited Company and should have been carried out under the single LOI/Work Order/Agreement.



Bidder shall submit the details of work completed in form PC as provided in the Tender Document Separate year wise Statement of experience with work orders and work executed certificates (Work Completion Certificate) duly certified by the certificate issuing authority shall be submitted as supporting documents.

Copies of these supply orders should be attached with the Technical Bid

10.2 Financial

1. Bidder must have an average positive Net Worth as on last three financial year of 31.03.2023, 31.03.2024 and 31.03.2025.
2. Bidder must have a Minimum Average Turnover of Rs 333500/- (Rupees Three lakh Thirty Three thousand Five hundred Only) for financial year ending on 31.03.2023, 31.03.2024 and 31.03.2025.
3. A certificate from Chartered Accountant regarding financial capacity shall be submitted as per format provided in FORM PC of the Tender Document.

10.3 Site Visit Certificate

The Bidders are requested to carry out site visit to understand the actual requirement of spares and specifications if any and should give a declaration of site visit as per the format provided in FORM PG of the Tender Document.

10.4 Blacklisting of the Bidder

The Bidder or its directors have not been blacklisted by any Government Organization. The Bidder will submit a declaration to this effect as per the format provided in FORM PD of the Tender Document. If at any time such declaration is found false, the bid will be rejected or if the contract work is already awarded, it will be terminated forthwith without payment of any compensation and the EMD/SD will be forfeited.

11. Evaluation of Bids

11.1 Completeness of Bids

GMDC, will examine the bids to determine whether they are complete, whether they meet all the conditions of the Tender Document and Technical Specifications, whether any computational errors have been made, whether required sureties have been furnished,



whether the documents have been properly signed, and whether the Bid Documents are substantially responsive to the requirements of the Tender Document.

11.2 Tender Clarifications

The GMDC may at its discretion, seek from any or all bidders, clarifications on his/their bids, including technical information, documents and materials after technical bid opening but before opening of commercial bid.

11.3 Rejection of Bid

A bid that does not meet all eligibility criteria or is not responsive shall be rejected by GMDC. Submission of false or incorrect information, history of delayed work, reports of unprofessional conduct, among other things, shall be sufficient grounds for disqualification in technical bid.

11.4 Opening of Bids

Technical bids will be opened after verification of receipt of payment towards Tender Processing Fee and EMD. The eligible bidders will be able to view the technical bids after opening of technical bid. On verification of the supporting documents, technical qualification of the bidders will be assessed. The eligible bidders will be communicated the date and time of online opening of price bids by telephone or email. However, all bidders will be able to view the price bids online on their computers after opening of price bid.

11.5 Selection of Bidder

The contract will be awarded to the bidder who stands L1 in total price. The GMDC reserves its right to reject any or all tenders or split the job between more than one bidders without assigning any reason and thereby without incurring any liability to the affected successful bidder or Bidders or any obligation to inform the affected successful bidder or bidders of the grounds for GMDC Ltd., action/decision.

11.6 Discussion



It is essential for the successful bidders to quote the lowest price at the time of making the offer in their own interest. GMDC, however, will have the discretion to choose to enter any mode of discussion or not.

11.7 Acceptance of LOI and Issuance of Work Order:

1. GMDC, on acceptance of the offer, will issue Letter of Intent to the successful bidder, who will be required to confirm its acceptance of the LOI within 10 days from the date of receipt. If the successful bidder does not accept the LOI within stipulated period, the amount of the EMD paid will be forfeited and necessary further actions may be initiated as may be deemed fit by the GMDC.
2. The Successful bidder shall have to submit the Security Deposit within 10 days from the date of issuance of LOI. The Successful bidder shall submit the Security Deposit in the manner prescribed in this Tender Document. In case of failure to submit the security deposit, the amount of EMD will be forfeited and necessary further actions may be initiated as may be deemed fit by the GMDC.
3. GMDC will award the Work Order to the successful bidder, after the payment of Security Deposit, in token of acceptance of the terms and conditions of the contract, within 30 days from date of LOI. In case of any necessity arising after executing work order and during the execution of the work, which requires alteration/modifications in the agreement, the same can be made in writing after mutual understanding and consent of both the parties.

12. Scope of Work with BOQ

Supply of spares for STG & BOP at GMDC's 2x125 MW Akrimota Thermal Power Station as per following details specifications and Qty.

Sr. No.	Equipment /Area	Item Description	UOM	Quantity required
1	Reject water pump	BEARING HOUSING(DE & NDE),PART NO:350.1 & 350.2,PUMP TYPE:SDA 250/300 M,MAKE:M/S BEACON WEIR LIMITED Or Equivalent Or As per sample,	NO	2



		FOR REJECT WATER PUMP.(DE side-1 no & NDE side-1 no)		
2	Reject water pump	BEARING COVER(DE & NDE),PART NO:360.1 & 360.2,PUMP TYPE:SDA 250/300 M,MAKE:M/S BEACON WEIR LIMITED, Or Equivalent Or As per sample, FOR REJECT WATER PUMP.(DE side -1 no & NDE side -1 no)	NO	2
3	Reject water pump	SPACER SLEEVE,PART NO:525,PUMP TYPE:SDA 250/300 M,MAKE:M/S BEACON WEIR LIMITED, Or Equivalent Or As per sample, FOR REJECT WATER PUMP.	NO	2
4	Reject water pump	PIN (MS) Part No: 560 ,Make: BEACON WEIR LIMITED Or Equivalent Or As per sample, For Reject water pump	NO	10
5	Reject water pump	COUPLING KEY (MS) PN 940.1,Make:BEACON WEIR LIMITED, Or Equivalent Or As per sample, FOR REJECT WATER PUMP	NO	5
6	Reject water pump	IMPELLER KEY,PART NO:940,PUMP TYPE:SDA 250/300 M,MAKE:M/S BEACON WEIR LIMITED, Or Equivalent Or As per sample, FOR REJECT WATER PUMP.	NO	1
7	Reject water pump	STUFFING BOX BUSH,PART NO:459,PUMP TYPE:SDA 250/300 M,MAKE:M/S BEACON WEIR LIMITED, Or Equivalent Or As per sample, FOR REJECT WATER PUMP.	NO	2
8	Reject water pump	LANTERN RING (PLASTIC) FOR REJECT WATER PUMP TYPE: SDA 250/300 M, P/N 458,MAKE:BEACON WEIR LIMITED Or Equivalent Or As per sample,	NO	2
9	Reject water pump	SHAFT SLEEVE,PART NO:524,PUMP TYPE:SDA 250/300 M,MAKE:M/S BEACON WEIR LIMITED, Or Equivalent Or As per sample, FOR REJECT WATER PUMP.	NO	2
10	Reject water pump	COUPLING PIN WITH NUT & WASHER, PART NO:866, MODEL NO:SDA 250 / 300 M, MAKE:BEACON WEIR LIMITED Or	NO	2



		Equivalent Or As per sample, FOR REJECT WATER PUMP		
11	Reject water pump	COUPING BUSH,PART NO:867,PUMP TYPE:SDA 250/300 M,MAKE:M/S BEACON WEIR LIMITED, Or Equivalent Or As per sample, FOR REJECT WATER PUMP.	NO	2
12	Ash cooler pump	CIRCLIP OUTSIDE,PART NO.:A65, DRG No: Ref DRG in O & M Manual ,FOR ASH COOLER PUMP, MAKE:BECON WEIR OR Equivalent Or As per Sample, MODEL:CNX 300-500	NO	1
13	Ash cooler pump	GLAND PACKING,PART NO.:A30, DRG No: Ref DRG in O & M Manual ,FOR ASH COOLER PUMP, MAKE:BECON WEIR OR Equivalent Or As per Sample, MODEL:CNX 300-500	NO	1
14	Ash cooler pump	METALIC MEMBERANCE, LM-360/180 FOR LOVE JOY FLEXIBLE COUPLING, FOR ASH COOLER PUMP TYPE LM 360/180 DISK PACK LIMIT SET	NO	1
15	CCW Pump	KEY-COUPLING, PART NO.:A58, DRG No: Ref DRG in O & M Manual, FOR CCW PUMP, MAKE:BECON WEIR OR Equivalent Or As per Sample, MODEL:CNX 400-500	NO	1
16	ACW Pump	METALIC MEMBRANCE,LM-220 ACW PUMP TYPE LM-220/325 DISKPACK UNIT SET	NO	1
17	Condensate extraction pump	TAI BAR (TAI BELT),PART NO:3410101,MAKE: KBL,MODEL:BHRC 28 M,DRG NO:TC 156 01 001 2, FOR CONDENSATE EXTRACTION PUMP	NO	8
18	Condensate extraction pump	KEY FOR DISTANCE SLEEVE, PART NO:3290101, DRG NO:TC 156 01 001 2,MAKE: KBL, MODEL:BHRC 28 M, FOR CONDENSATE EXTRACTION PUMP	NO	1



19	Condensate extraction pump	IMPELLER NUT, PART NO:3300101, DRG NO:TC 156 01 001 2,MAKE: KBL,MODEL:BHRC 28 M, FOR CONDENSATE EXTRACTION PUMP	NO	1
20	Ash cooler pump	IMPELLER NUT, PART NO:005, DRG No: Ref DRG in O & M Manual, FOR ASH COOLER PUMP, MAKE:BECON WEIR OR Equivalent Or As per Sample,, MODEL:CNX 300-500	NO	1
21	RO Plant Cartridge filter tank	MOC:SS 316L,MAX PR:6BAR,SIZE:AS PER SAMPLE AT SITE	NO	2

- Prospective the bidder may visit at site for inspection of item to be quoted. For quote purpose the bidder has to take dimensions for fitment guarantee & collect sample of material for ascertaining MOC
- All the spares approved drawing must be submitted to GMDC before supply of material.
- The successful bidder shall have to supply the items in the BOQ as per the specifications otherwise shall be rejected.
- The successful bidder shall submit all kind of test certificate for chemical composition and mechanical properties of the supplied materials and fitment certificate, Guarantee certificate, warranty certificate in case of supplied material is of OEM or Equivalent or As per sample type.
- GMDC has right to conduct any test of all spares, if required from Govt. Approved laboratory and results of same shall be binding to the successful bidder. The successful bidder may witness the same.
- Quantity of supply items may increase or decrease as per requirement of ATPS. GMDC reserves the right to remove any line item from the BOQ or decrease the quantity of supply of any items in the BOQ, as required (to be read along with Clause 24.3 of the tender). In case quantity to be supplied is increased, variation should not be more than 20% of total contract value (including charges for both supply), which shall be executed by the successful bidder at additional cost to GMDC, as per same terms & conditions of the original contract.



- Unloading, loading, lifting, shifting, arrangement of supplied materials at designated location inside ATPS & at site shall be in the successful bidder's scope.
- The arrangement of hydra/loader/JCB/Tractor trolley as per required at site shall be in scope of the successful bidder.

13. Period and Duration of Work

- 13.1** Supply shall be carried out Within 03 Month (Three months) from the date of acceptance of LOI.
- 13.2** In case of any reason including adverse working conditions during execution of the contract that may compel suspension/closure of the contract, GMDC shall be at liberty to conclude/postpone/complete/terminate/foreclose this contract. No compensation or payment shall be made on account of afore-stated events. Decision of GMDC in this regard shall be final and binding to the successful bidder.
- 13.3** GMDC reserves the right to review and assess the performance of the work at any time during the contract period. In case of poor or unsatisfactory performance and/or breach of any terms and conditions of the contract, GMDC shall have discretion to take appropriate action including termination of the contract.

14. Liquidated Damages (LD) and Penalties

- 14.1** If the successful bidder fails to supply or provide service for any of the spares/materials as per the BOQ, GMDC shall reserve right to procure and carry out service of the spares/material at the successful bidder's risk & cost with 20% administrative charges. GMDC shall reserve the right to determine the cost of supply or services (Application/ Installation/ Replacement/ other associated services) of such spares/material.
- (Bidder to note that penalty charges in clause 14.1 above is over and above the maximum cap on Liquidated Damages)
- 14.2** LD for late Supply of spares/materials will be levied at @ 0.1% of amount of supply of particular spares/material per day for any delay beyond the time specified in the tender documents with the maximum cap of 10 % of the total contract value.



- 14.3** Overall cap on late supply of material the total LD shall be 10 % of the total contract value.
- 14.4** Looking to this, if the delay in completion of the works happens which can be attributed to the successful bidder, the GMDC will be free to forfeit the EMD and /or SD, or both the EMD and SD.
- 14.5** For calculation of LD, date of acceptance of LOI shall be the reference date.

15. Measurements

- 15.1** Supply of spares, equipment & Materials as per scope of supply shall be counted for payment, If the supply is not completed as per scope of supply and any part supply is done, then the part supply shall not be counted for payment.
- 15.2** Material test certificate of all supplied spare along with material shall be submitted to GMDC by the Successful bidder.
- 15.3** The complete execution of the work with supply of Materials and as per scope of work shall be counted for payment. If the work or supply is not completed as per scope of work or supply and any part work or supply is done, then the part work shall not be counted for payment.
- 15.4** The Successful bidder has to submit the material account statement along with the work measurement sheet. Any Invoice without material account statement shall not be processed, this may please be noted.
- 15.5** All the supplied credited materials shall be the property of GMDC.
- 15.6** All the materials to be supplied as per the scope of works and or supply shall be credited to GMDC only.

16. Transit Insurance:

- 16.1** Insurance –The Successful bidder shall take full responsibility to take all precautions to prevent loss or damage to the supplied material, works or part thereof for any reasons whatsoever (except for reasons which are beyond control of the Successful bidder or act of God, e.g. flood, riots, war, earthquake, etc.) and shall at his own cost, repair and make good



the loss/damage to the supplied material so that on completion, the supplied material, works shall be in good order and condition and in conformity with the requirements of the Contract and instructions of the Project Authority, if any.

- 16.2** The cost of premiums shall be borne by the Successful bidder, and it shall be deemed to have been included in the tendered rate.

17. Goods & Service Tax

- 17.1** All bidders are required to submit their GST number and date in the bid. Bid received from unregistered bidder will not be considered and out rightly rejected.
- 17.2** Bidders are requested to quote their rates without GST. GST will be paid/adjusted/reimbursed to the Successful bidder as per prevailing rates and rules to the extent directly related to the Goods supplied by the Successful bidder under the said contract subject to production of documentary proof and the Successful bidder will mention the GST amount separately in the invoice/bill along with SAC/HSN Code under GST.

18. Payment

- 18.1** Successful bidder shall submit bill of all supplied items within 7 days after completion of work. Running Account Bill shall be processed after issuance of work order only.
- 1.** For payment of supply of items, Successful Bidder shall submit bills for
 - (i)** 100% of supply charges for items, after material delivery and inspection at site, against Material Receipt Certificate and other necessary documents as required.
 - 2.** For payment of Services (Installation) of items, Successful Bidder shall submit bills for
 - (i)** 100% of service charges for replacement of items, after completion of all required services as per the scope and certification of RA Bills from site.
- 18.2** Bill shall be submitted to the office of the Project Director, ATPS with following documents:
- Details of spares / Material supplied with GMDC ATPS Gate Security certification, GMDC store certification & GMDC EIC inspection certificate, test certificate of spares/equipment.t
 - Any other documents if any as prescribed by GMDC as and when requires.



18.3 Bill, submitted at the office of General Manager (Power Project) will be processed there considering following deductions

1. Income tax as per provision of Income Tax Act, and other Taxes (and surcharges) applicable in force from time to time
2. Cost of any other services provided / material supplied plus 20% administrative charge, if any, by the GMDC.
3. Liquidated damages,
4. Other deductions, if any.

18.4 100% of the payable amount arrived after considering above deduction (as mentioned in Clause 18.3 of the tender), will be paid by office of the Project Director within 30 days of submission of the invoice along with its detail and relevant documents.

18.5 GMDC shall be entitled to withhold payment if any of the invoices do not include the supporting documents required by the Owner (if any) and shall only be released after getting proper supporting documents, including statutory payments, from the Successful Bidder. No interest shall be paid by the Owner on any delayed/ disputed payment.

18.6 Payment shall be as per actual basis.

19. Mode Of Payment

The mode of payment will be by RTGS.

20. Performance Guarantee

20.1 For all supplied material, the successful bidder shall abide to accept the clause for the satisfactory performance of the supplied materials with guarantee of 12 months from date of commissioning or 18 months from the date of supply whichever is earlier.

20.2 During the guarantee period, If any problem surfaces, the Successful bidder shall carry out of repairing / replacing the material or carry out work free of cost. All types of expenses for repair, replacement, labour, insurance, statutory etc shall be in Successful bidder's scope.



20.3 The guarantee covers all types of causes of non-satisfactory performances except natural calamities.

21. Bankruptcy

If the Successful bidder commits an act of Bankruptcy or goes into liquidation except for construction purposes, or if its business is carried on by a receiver, such receiver, liquidator or any person in whom the contract may become vested shall forthwith give notice thereof in writing to GMDC and in reasonable time during which he shall take all reasonable steps to prevent stoppage of performance of the contract, have the option of carrying out the contract subject to his or their providing such guarantees as may be required by GMDC but not exceeding the value of the work for the time being remaining unexecuted.

In the event of stoppage of performance under the contract, the period of option under this clause shall be decided by GMDC considering the situation, provided that the above option is not exercised, GMDC may terminate the contract by serving notice in writing to the Successful bidder. The power and provision so reserved to GMDC on taking of the work out of the Successful bidder's hands shall apply as far as they may be when the contract is so terminated.

22. Notice

Written notice shall be deemed to have been duly served if delivered to the individual or to the Successful bidder or to the Signing Authority of the GMDC from whom it is intended, or if delivered at or sent by mail or post, to the last business address known to him who gives the notice.

23. Canvassing Not Permitted

23.1 Bidder should not canvass their offer personally or otherwise by approaching the Chairman or the Member of GMDC. If any Bidder wants to make any representation regarding his offer, he should write to the General Manager (Project) if he desires, but personal and oral representations are not permitted.

23.2 In spite of the above clear instructions, any Bidder is found to canvass his offer or against his competitor's offer through personal approach to the competent authority or the officials of



GMDC, their offer will be rejected without assigning any reason and the firm even is blacklisted.

24. Non-Fulfillment of Terms and Condition of The Contract

- 24.1** If the Successful bidder fails to carry out the work as per terms and conditions of the contract to the satisfaction of the GMDC, GMDC shall be entitled to forfeit the security deposit paid by the successful bidder. This however, shall not absolve the Successful bidder from his obligation to fulfill the contract. In such event, the GMDC shall have a right to complete and / or to get the work completed at the cost & risk of the Successful bidder and the Successful bidder shall be responsible to pay such cost incurred by the GMDC to complete the work and / or to get the work completed.
- 24.2** Likewise, if the Successful bidder does not fulfil the terms and conditions of the contract and does not carry out the work up to the entire satisfaction of GMDC, GMDC has the right to forthwith terminate the contract at its sole discretion, without assigning any reason, Under such events, the GMDC shall be entitled to forfeit the security deposit paid by the Successful bidder and the GMDC shall have a right to complete the work and / or to get the work completed at the risk and cost of the Successful bidder.
- 24.3** For any reasons, if it is required, the GMDC reserves rights to cancel, terminate, amend and / or alter the contract and / or bifurcate and / or reduce the contract work at any time without giving any notice or reason to the Successful bidder and without incurring any responsibility.

25. General Conditions

- 25.1** All the persons of the Successful bidder engaged must wear Helmet and Shoes and other PPEs. As and when required other personal protective wears shall also be provided to them by the successful bidder.
- 25.2** The Successful bidder shall take adequate statutorily prescribed insurance cover for all men and machinery engaged by him/it for performance of the work at site. Any statutory, legal, financial and other liabilities or insurance claims brought against the GMDC by an individual or by customers or by any such other persons who suffered damage due to negligence of the



Successful bidder or his employees, the same shall be settled by the successful bidder at his cost.

- 25.3** The Successful bidder shall not change the constitution of the firm/name during the currency of the contract without prior approval of GMDC. Upon such change in constitution and/or name, Supplementary agreement to that effect shall be executed and if the SD is submitted in form of BG/FD than fresh BG in the name and/or constitution shall be submitted failing which necessary action as deemed fit by GMDC shall be taken.
- 25.4** All the staff members of the successful bidder shall carry Photo Identity Card while on duty.
- 25.5** The successful bidder shall provide necessary arrangement for transportation of supply.
- 25.6** The successful bidder shall abide by the provision of the Motor Vehicle Act for machinery. Any consequences arising out of non-compliance of said Provisions will be at the successful bidder's sole risk and cost, for which GMDC will not be responsible for any compensation.
- 25.7** To meet the exigencies arising out of natural calamities or disaster or during any emergency, GMDC reserves the right to take away any of the equipment's / machineries deployed at the site with a mutually consented rate. A separate agreement will be made to this effect.
- 25.8** Project Director is authorized to take suitable decision and action in case of requirement to amend / alter the work order conditions /quantities of the works / extension of the work completion period / allotment of additional works / revision of the rates of the work etc. if necessary, in the interest of GMDC.

26. Statutory Obligations

- 26.1** That the successful bidder shall obtain license under the Factories Act and it shall pay wages and benefits in accordance with the applicable laws and shall not pay less than as notified by the Government Authorities from time to time and shall maintain the employment records as required under applicable laws.
- 26.2** That the successful bidder shall get his own License under Contract Labour (Regulation and Abolition) Act. It shall be binding to get the same renewed from time to time and shall maintain all the records as per the act.



- 26.3** That the successful bidder shall be responsible to enroll his employees, deduct, add and deposit in the relevant accounts the contributions as required under the Employees State Insurance Act, 1952 and the Employees Provident Funds and Miscellaneous Provisions Act 1952 and any other enactment's covered under the various applicable labour laws as well as maintain all books of records for the staff and employees deputed by it for this contract such as required under any laws applicable. The successful bidder shall also furnish a copy of such statements as documentary proof to the GMDC.
- 26.4** That if the successful bidder is not covered under the Employees State Insurance Act, 1952 then it shall be the duty of the successful bidder to take appropriate insurance cover under the Workmen Compensation Act and take Group Personal Accident Policy for all the employees deputed at the project site.
- 26.5** The successful bidder must issue to the employee's Identity card with their photos and shall also maintain relevant register.
- 26.6** That the successful bidder shall give leave/holiday to its workforce as per the provisions of labour laws applicable.
- 26.7** Every person deployed by the successful bidder in the plant must wear safety gadgets to be provided by the successful bidder.
- 26.8** Any statutory clearance, permission required for the work, it's completion, commissioning shall be in the successful bidder's scope.
- 26.9** The successful bidder will be required to obtain License from the office of the Labour Commissioner for the required strength of labour, before commencement of work at site and the same shall be maintained updated and valid throughout the currency of the contract.
- 26.10** If any amount becomes payable by GMDC as a result of any claim or application in terms of the provisions or non-compliance of provision of any Acts and the Rules and Regulations, By-laws or the Orders made there under, applicable from time to time, such amounts shall be recoverable from the successful bidder for which GMDC will not be responsible for any compensation.
- 26.11** That the successful bidder would obey with all applicable laws and maintain all such necessary records as necessitated under such enactments.



26.12 The successful bidder shall also indemnify the GMDC against any claims, compensations, damages, loss, liquidated damages etc. for breach and / or non-fulfilment of the prevailing Rules and Regulations and other statutory provisions in force from time to time and applicable to the work during the currency of contract.

26.13 The successful bidder shall abide by the provision of the Motor Vehicle Act for machinery. Any consequences arising out of non-compliance of said Provisions will be at the successful bidder's sole risk and cost, for which GMDC will not be responsible for any compensation.

26.14 The successful bidder shall comply with other statutory provisions of Law. The successful bidder shall comply with all applicable laws, ordinances, approved standards, rules and regulations, and shall procure all necessary municipal and governmental permits, licenses and inspection and shall pay all fees and charges in connection with the items covered by the contract. The successful bidder shall serve GMDC harmless as a result of any in factions thereof. The successful bidder will be solely liable for all non-compliances. The following are some of the major Government of India Acts and Regulations to be complied with by the successful bidder. The List is illustrative and not exhaustive.

1. The Factories Act of 1948 (63 to 1948) and Amendments and Rules (Amended up to date)
2. The Electricity Act, 2003 and rules made there under
3. The Indian Boiler Regulation Act, 1950 and rules made there under
4. The Minimum Wages Act, 1948
5. The Employees Compensation Act 1923 and Amendment Act 2010
6. The Payment of Wages Act 1936 and Amendment Act 2012
7. Payment of Bonus Act 1965 and Amended up to date
8. Contract Labour Regulations & Abolition Act 1970
9. Interstate Migrant Workmen (Regulations) Act 1979

27. Termination Of Contract

If at any time during the currency of this contract, if any breach occurs due to the reasons attributed to the Successful bidder, GMDC shall be at liberty to terminate this contract without assigning any reasons, whatsoever, for such termination and any losses and/or damages occurring due to such termination shall be borne by the Successful bidder. GMDC shall be entitled to forfeit Security deposits as Liquidated damages.



28. Governing Law

This Tender and subsequent Contract shall be construed and interpreted in accordance with and governed by the laws of India.

29. Jurisdiction

The matter related to any dispute or difference arising out of this Tender and subsequent contract shall be subject to the exclusive jurisdiction of Court at Ahmedabad only.

30. Arbitration

All questions, disputes, differences whatsoever which may at any time arises between the parties to this Tender and subsequent contract in connection with the Tender and subsequent contract or any matter arising out of or in relation thereto, shall be referred to Sole Arbitrator as per the provisions of Arbitration and Conciliation Act, 1996 and subsequent amendment thereto and the venue of arbitration proceedings shall be at Ahmedabad only. The Language of the Arbitration shall be in English only.

31. Completion Of Work

31.1 Upon the Successful bidder fulfilling the entirety of its obligations under the Contract to the satisfaction of GMDC and subject to terms and conditions of the Contract, it shall become eligible to apply for a Completion Certificate. The Project Director (ATPS) or The General Manager (ATPS) of the GMDC shall formally issue the Completion Certificate, after verifying from the completion documents and satisfying himself that the Works under the Contract have been completed in accordance with all the provisions of this Contract. The Successful bidder, after obtaining the Completion Certificate shall become eligible to present the final bill for the Works executed by it under the Contract.

31.2 The Successful bidder shall provide GMDC with any and all documents/records/proofs that may be demanded before issuance of Completion Certificate.

31.3 As time is essence of this project, contractor should adhere to duration of contract, except for short fall of raw material in market or delay due to natural calamity.



32. Accident and Responsibilities of Bidder

- 32.1** The entire responsibility on account of any accidents, damage or personal injury which may occurred to any of the Successful bidder's vehicles/ equipment or his/its employees or any outside party shall be exclusively that of the Successful bidder and no claim whatsoever shall be entertain by the GMDC on this account. The Successful bidder shall keep the GMDC indemnified from all the consequence.
- 32.2** In the event of any breakdown or accident during the course of any operation, the Successful bidder shall notify the facts to the GMDC Authority, or any other officer immediately present there of such incidence and shall simultaneously make adequate remedial arrangements on his/its own cost and risk and as per the instruction of the Corporate office Authority.
- 32.3** The Successful bidder shall pay all claims, damages and compensation with cost arising out of or resulting there from to the third party(s) and in case the GMDC would be required to face any proceedings all to pay any amount on the aforesaid account, it shall be deemed to have been discharge on behalf of the Successful bidder, the same amount shall be recovered half-an hour rest interval in between. The Successful bidder shall ensure that the attendance of all the supplied manpower shall be taken through biometric attendance machine.

33. Foreclosure

In case of any necessity arising due to local working conditions or any unforeseen reason not in the control of the GMDC or any reason what so ever GMDC shall be at liberty to Fore close the contract without assigning any reasons or notice there for.

34. Force Majeure

Force majeure is herein defined as any cause which is beyond the control of the Successful bidder or the GMDC as the case may be which they could not foresee or with a reasonable amount of diligence could not have foreseen and which substantially affect the performance of the contract, such as:

- 34.1** Natural phenomena such as flood, draughts Cyclone, earthquake and epidemics, declaration of war.



- 34.2** Acts of any government, including but not limited to war, declared or undeclared priorities, quantities, embargoes, providing either party shall within fifteen (15) days from the occurrence of such a cause notify the other in writing of such cases.
- 34.3** The Successful bidder will advise, in the event of his having resort to this clause by a registered letter duly certified by the statutory authorities, the beginning and end of the cause of delay, within fifteen days of the occurrence and cessation of such Force Majeure condition. In the event of delay lasting over two months, if arising out of Force Majeure, the contract may be terminated at the discretion of the GMDC.
- 34.4** For delay arising out of Force Majeure, the Successful bidder will not claim extension in completion date for a period exceeding the period of delay attributable to the causes of force Majeure and neither company nor the Successful bidder shall be liable to pay extra costs (like increase in rates, remobilization, advance, idle charges for labour and machinery etc.) provided it is mutually established that the Force Majeure conditions did actually exist.
- 34.5** If any of the Force Majeure conditions exists in the place of operation of the Successful bidder even at the time of submission of bid, he will categorically specify them in his bid and state whether they have been taken into consideration in their quotations.
- 34.6** The Successful bidder or the GMDC shall not be liable for delays in performing his obligations resulting from any force majeure cause as referred to and/ or defined above. The date of completion will, subject to hereinafter provided, be extended by a reasonable time.



Annexure-A

Instruction to Bidders for Online Tendering

1. All Bidders must submit their bid online through the website <https://gmdctender.nprocure.com>
2. Bidders who wish to participate in online tenders will have to procure / should have legally valid Digital Certificate (Class III) as per Information Technology Act-2000, using which they can sign their electronic bids. Bidders can procure the same from any of the license certifying Authority of India or can contact (n) code solutions- a division of GNFC Limited, who are licensed Certifying Authority by Government of India at address mentioned below at clause 5.
3. All bids should be digitally signed. For details regarding digital signature certificate and related training involved at the below mentioned address should be contacted:

Address:

(n)Procure Cell

(n)Code solutions A division of GNFC

403, GNFC Info-Tower, Bodakdev, Ahmedabad- 380 054 (India)

Tel +91 79- 4000 7300 Fax: +91 79 26857321, Toll Free: 7359021663

E-mail : nprocure@ncode.in

4. Kindly take note that, valid Digital Signature Certificates is a must for all the interested Bidders. Online tendering process is not possible without a valid digital signature certificate.
5. Interested Bidders are also requested to complete their procedure for taking digital signature certificate in respect to filling of application form, supporting documents with necessary fees at least 3 days before last date of tender submission.
6. (n) code solutions reserve the rights to issue digital signature certificate after verification of application forms / supporting documents submitted by Bidder. (n) code solutions is fully authorized to issue digital signature certificate to Bidders.
7. Bidders who have no facility to participate in on-line tenders are requested to contact (n) code solutions for the same.
8. Free vendor training camp will be organized every Saturday between 4.00 to 5.00 P.M. at (n) code solutions-A Division of GNFC Ltd. at address mentioned above. Bidders are requested to take benefit of the same.
9. All the correspondence in respect to training, support or digital signature certificate should be addressed to (n) code solutions directly on the above-mentioned address. In case the Bidders face any difficulty, they may contact the officials of the GMDC or GNFC on the below mentioned details:

a. GMDC:

Contact Person: **Project Director (ATPS)**

**Akrimota Thermal Power Station, Village: Nani chher, Taluka: Lakhapat, District:
Kutch, Gujarat-370602**

E-mail: jndave@gmdcltd.com, Website: www.gmdcltd.com

b. GNFC:

Contact Number: 079- 26857316/17/18

E-Mail: nprocure@gnfc.net



Annexure-B

Annexure I.

Finance Department, GR. No.: FD/MSM/e-file/4/2024/2859/D.M.O.

Date: 01/05/2025

- (A) Guarantees issued by the following banks will be accepted as SD/EMD on a permanent basis:

❖ All Nationalized Banks

- (B) Guarantees issued by the following Banks will be accepted as SD/EMD for the period up to March 31, 2026. The validity cut-off date in the GR is with respect to the date of issue of Bank Guarantee irrespective of the date of termination of Bank Guarantee.

Sr No	Name of Banks	Sr No	Name of Banks
1	AXIS Bank	22	South Indian Bank
2	AU Small Finance Bank	23	Standard Chartered Bank
3	Bandhan Bank	24	Tamilnad Mercantile Bank
4	Barclays Bank	25	Utkarsh Small Finance Bank
5	City Union Bank	26	YES Bank
6	CSB Bank	27	Ahmedabad Mercantile Co-op. Bank
7	DBS Bank India Limited	28	Nutan Nagrik Sahkari Bank Ltd.
8	DCB Bank	29	Rajkot Nagarik Sahakari Bank Ltd.
9	Equitas Small Finance Bank	30	Saraswat Co-Operative Bank Ltd
10	ESAF Small Finance Bank	31	SBPP Co-operative Bank Ltd.
11	FEDERAL Bank	32	SVC Co-Operative Bank Ltd.
12	HDFC Bank	33	The Cosmos Co-op Bank Ltd.
13	HSBC Bank	34	The Gujarat State Co-operative Bank
14	ICICI Bank	35	The Mehsana Urban Co-Op. Bank
15	IDBI Bank	36	The Surat District Co-op Bank
16	IDFC First Bank	37	The Surat People's Co. Op. Bank Ltd
17	Jammu and Kashmir Bank	38	The Kalupur Commercial Co-op. Bank
18	Jana Small Finance Bank	39	The Panchmahal District Co-operative Bank
19	Karnataka Bank	40	The Baroda District Co-operative Bank
20	Karur Vysya Bank	41	Baroda Gujarat Gramin Bank
21	Kotak Mahindra Bank	42	Saurashtra Gramin Bank

All the eligible banks are instructed to collect the original documents/papers of guarantee from the concerned tendering authority.

(Arvind V.)

Joint Secretary (Budget)
Finance Department



FORM-PA

CHECK LIST OF DOCUMENTS ENCLOSED WITH TENDER

TECHNICAL BID

Sr. No.	Document	Declaration (Strike out whichever is not applicable)
1.	Tender Processing Fee	Yes/No
2.	EMD	Yes / No
3.	Form PA (check list of documents enclosed with tender)	Yes / No
4.	Form PB (Status of the Bidder)	Yes / No
5.	Form PC (CA Certification for Financial Details and work carried out during the last seven years of bidder)	Yes / No
6.	Form PD (Declarations)	Yes / No
7.	Form PE (Undertaking of Genuineness of Document)	Yes / No
8.	Form PF (Undertaking of Indemnity)	Yes / No
9.	Form PG (Site Visit)	Yes / No
10.	Power of Authority to sign the documents (Duly Notarized on Stamp paper of Rs. 300)	Yes / No

PRICE BID

1	Online Price bid submission in Form PP	Yes / No
----------	---	----------



FORM-PB STATUS OF THE BIDDER

Particulars	Details
Name of the Bidder:	
Address:	
Registered office:	
For correspondence:	
Telephone No.	
Fax No.	
E-mail Address	
Attested copies of Deeds, Articles of association to be enclosed	
Name & contact number of person holding power of attorney (Attested copy of power of attorney to be enclosed)	
Names of Partners with their Present and permanent address	
Name of Bankers with full address and Telephone No& Bank Account Details (Cancelled Cheque to be enclosed)	
PAN of Bidder	
GST Registration No. of Bidder	
PF Registration No.	
Whether enlisted in other dept., if yes, then furnish the details pertaining to class and the amount qualified to tender	
Was the applicant or its partners or Directors blacklisted in past by any Govt. or any other body.	
Details pertaining to the work incomplete if any	
Details of the litigation, court cases and arbitration either completed or under progress during last 10 years by the GMDC entity or any partner/proprietor of present entity GMDC was associated in any capacity.	

Signature and Stamp of the Bidder



FORM-PC

1. Turnover and Net Worth

On the basis of the **audited books of accounts** produced before us by M/s. _____, we certify that as per the books of account Net worth and Turn Over of the firm M/s _____ are as under:

1.1 Net Worth= Rs. _____ for the Year ended on 31.03.2022.
 Rs. _____ for the Year ended on 31.03.2023.
 Rs. _____ for the Year ended on 31.03.2024.

Average Net Worth Rs. _____

1.2 Turn Over = Rs. _____ for the Year ended on 31.03.2022.
 Rs. _____ for the Year ended on 31.03.2023.
 Rs. _____ for the Year ended on 31.03.2024.

Average Turnover of Rs. _____

2. Details of Work Carried Out During the Last Seven Years by the Bidder (i.e. period from 01.02.2018 to 31.01.2025):

Sr. No.	Description of work with Workplace	Name of client with postal address	Work Order number and date	Contract Period		Actual Quantity worked	Amount without GST of work order	Work experience certificate attached
				From (Date)	To (Date)			
								Yes/No
								Yes/No
								Yes/No
								Yes/No

Signature and Stamp of the Bidder

Signature and Stamp of the CA



FORM-PD

Declaration

(On letter head of the Bidder)

DATE:

To,

Project Director (ATPS)
Akrimota Thermal Power Station,
GMDC Ltd,
Village: Nanicheer,
Taluka: Lakhapat,
District: Kutch, Gujarat-370602

Dear Sir,

I/we here by solemnly declare that

1. Any of our Directors or Partners, jointly or severally and/or individually or our firm/GMDC have not been black listed by the Central Govt. or the State Govt. or its undertakings.
2. We have not put any condition in our offer with respect to Tender No. _____,
3. We have accepted all the terms and conditions, including Annexure, Corrigendum if any, as specified in the Tender Document No. _____ unconditionally.

I/we here by further declare that, if the declaration is found untrue, the GMDC shall be entitled to take any action against us severally and/or individually or our firm/GMDC in this regard in any manner that may be deemed fit by GMDC.

Yours faithfully,

Signature and Stamp of the Bidder



FORM -PE

(Format for Affidavit)

A F F I D A V I T

**Undertaking Regarding Geniuses of Documents
(On Non-Judicial Stamp Paper Of Rs 300/-)**

I/We, _____, Partner/Director/Legal Attorney/Accredited
Representative of M/s. _____ solemnly declare that:

1. I/We are submitting Tender for the work _____
_____ against Tender No. _____
2. None of the Partners/Directors of our firm/GMDC is relative of employee of GMDC.
3. All information furnished by us in respect of fulfillment of eligibility criteria and qualification information of this Tender is complete, correct and true.
4. All documents/credentials submitted along with this Tender are genuine, authentic, true and valid.
5. If it is found at any point of time that our documents are not genuine then in that case our tender will be rejected, earnest money deposited by us will be forfeited and we will be debarred from participating in further/future GMDC tenders and/or any action as deemed fit by GMDC may be taken against us, including termination of the contract, forfeiture of all dues including Earnest Money / Security deposit and banning/delisting of our entity and all related persons etc.

**SIGNATURE OF THE BIDDER
WITH SEAL**

Dated



FORM-PF

Undertaking Of Indemnity (On Letter head of the Bidder)

To,

Project Director (ATPS)
Akrimota Thermal Power Station,
GMDC Ltd,
Village: Nanicheer,
Taluka: Lakhapat,
District: Kutch, Gujarat-370602

Dear Sir,

We M/s. ----- hereby undertake that, we shall at all times, indemnify and keep indemnified that GMDC Limited from any and all liability for damages resulting from or arising out of or in any way connected with the operations covered by the Tender No. _____. We shall be responsible for all risk arising in connection with or on account of the operations covered by the contract covered by the above tender and shall make good all losses and damages arising there from. In case, the GMDC Limited shall incur any cost or expense or suffer any loss on account of any claim demand or course of action brought against us and arising out of the operations covered by the Bidder/tender, the GMDC Limited shall have the power (without being bound to do so) to define, contest or compromise any such claim demand or cause of action. Any amount that may become payable by GMDC Limited and any cost expense etc. that may be incurred by the GMDC Limited in this behalf, shall also be recoverable from us, without prejudice to your other rights.

Yours faithfully,

For -----

(Signature & Stamp of the Bidder)



FORM-PG

Declaration
(On letter head of the Bidder)

Site Visit

We _____ hereby certify that we have fully understood the site condition in respect of Tender No. _____ for all the works mentioned above at _____. We have obtained all relevant details, information, data, existing working conditions, existing industrial environment etc. We have also studied the working conditions as proposed in the tender and availability of power supply, water supply, manpower, machineries, transportation facility etc.

We hereby agree and undertake not to raise any dispute and/or objection at any stage on any ground whatsoever, during the currency of the contract if awarded to us.

SIGNATURE OF THE BIDDER WITH SEAL

Dated



FORM-PP

PRICE BID FORM
(To be submitted online)

Sub.: - Work of Supply of Spares for STG & BOP site at GMDC's 2x125 MW Akrimota Thermal Power Station.

Sr. No.	Area	Item Description	UOM	Quantity	Unit rate (in INR) (Excluding GST)	Total Amount (in INR) (Excluding GST)
1	Reject water pump	BEARING HOUSING(DE & NDE),PART NO:350.1 & 350.2,PUMP TYPE:SDA 250/300 M, Drg detail: As Per Instruction Manual, MAKE:M/S BEACON WEIR LIMITED Or Equivalent Or As per sample, FOR REJECT WATER PUMP.(DE side-1 no & NDE side-1 no)	NO	2		
2	Reject water pump	BEARING COVER(DE & NDE),PART NO:360.1 & 360.2, Drg detail: As Per Instruction Manual, PUMP TYPE:SDA 250/300 M,MAKE:M/S BEACON WEIR LIMITED, Or Equivalent Or As per sample, FOR REJECT WATER PUMP.(DE side -1 no & NDE side -1 no)	NO	2		
3	Reject water pump	SPACER SLEEVE,PART NO:525, Drg detail: As Per Instruction Manual, PUMP TYPE:SDA 250/300 M,MAKE:M/S BEACON WEIR LIMITED, Or Equivalent Or As per sample, FOR REJECT WATER PUMP.	NO	2		
4	Reject water pump	PIN (MS) Part No: 560 , Drg detail: As Per Instruction Manual, Make: BEACON WEIR LIMITED Or Equivalent Or As per sample, For Reject water pump	NO	10		



5	Reject water pump	COUPLING KEY (MS) PN 940.1, Drg detail: As Per Instruction Manual, Make:BEACON WEIR LIMITED, Or Equivalent Or As per sample, FOR REJECT WATER PUMP	NO	5		
6	Reject water pump	IMPELLER KEY,PART NO:940, Drg detail: As Per Instruction Manual, PUMP TYPE:SDA 250/300 M,MAKE:M/S BEACON WEIR LIMITED, Or Equivalent Or As per sample, FOR REJECT WATER PUMP.	NO	1		
7	Reject water pump	STUFFING BOX BUSH,PART NO:459, Drg detail: As Per Instruction Manual, PUMP TYPE:SDA 250/300 M,MAKE:M/S BEACON WEIR LIMITED, Or Equivalent Or As per sample, FOR REJECT WATER PUMP.	NO	2		
8	Reject water pump	LANTERN RING (PLASTIC) FOR REJECT WATER PUMP TYPE: SDA 250/300 M, P/N 458, Drg detail: As Per Instruction Manual, MAKE:BEACON WEIR LIMITED Or Equivalent Or As per sample,	NO	2		
9	Reject water pump	SHAFT SLEEVE,PART NO:524, Drg detail: As Per Instruction Manual, PUMP TYPE:SDA 250/300 M,MAKE:M/S BEACON WEIR LIMITED, Or Equivalent Or As per sample, FOR REJECT WATER PUMP.	NO	2		
10	Reject water pump	COUPLING PIN WITH NUT & WASHER, PART NO:866, Drg detail: As Per Instruction Manual, MODEL NO:SDA 250 / 300 M, MAKE:BEACON	NO	2		



		WEIR LIMITED Or Equivalent Or As per sample, FOR REJECT WATER PUMP				
11	Reject water pump	COUPLING BUSH,PART NO:867,PUMP TYPE:SDA 250/300 M,MAKE:M/S BEACON WEIR LIMITED, Or Equivalent Or As per sample, FOR REJECT WATER PUMP.	NO	2		
12	Ash cooler pump	CIRCLIP OUTSIDE,PART NO.:A65, DRG No: Ref DRG in O & M Manual, FOR ASH COOLER PUMP, MAKE:BECON WEIR OR Equivalent Or As per Sample, MODEL:CNX 300-500	NO	1		
13	Ash cooler pump	GLAND PACKING,PART NO.:A30, DRG No: Ref DRG in O & M Manual, FOR ASH COOLER PUMP, MAKE:BECON WEIR OR Equivalent Or As per Sample, MODEL:CNX 300-500	NO	1		
14	Ash cooler pump	METALIC MEMBERANCE LM-360/180 FOR LOVE JOY FLEXIBLE COUPLING, For ASH COOLER PUMP,TYPE LM 360/180 DISK PACK UNIT SET	NO	1		
15	CCW Pump	KEY-COUPLING, PART NO.:A58, DRG No: Ref DRG in O & M Manual, FOR CCW PUMP, MAKE:BECON WEIR OR Equivalent Or As per Sample, MODEL:CNX 400-500	NO	1		
16	ACW Pump	METALIC MEMBRANCE,LM-220 ACW PUMP TYPE LM-220/325 DISKPACK UNIT SET	NO	1		



17	Condensate extraction pump	TAI BAR (TAI BELT),PART NO:3410101, DRG NO:TC 156 00 001 2,MAKE: KBL,MODEL:BHRC 28 M, FOR CONDENSATE EXTRACTION PUMP	NO	8		
18	Condensate extraction pump	KEY FOR DISTANCE SLEEVE, PART NO:3290101, DRG NO:TC 156 01 001 2,MAKE: KBL, MODEL:BHRC 28 M, FOR CONDENSATE EXTRACTION PUMP	NO	1		
19	Condensate extraction pump	IMPELLER NUT, PART NO:3300101, DRG NO:TC 156 01 001 2,MAKE: KBL,MODEL:BHRC 28 M, FOR CONDENSATE EXTRACTION PUMP	NO	1		
20	Ash cooler pump	IMPELLER NUT, PART NO:005, DRG No: Ref DRG in O & M Manual, FOR ASH COOLER PUMP, MAKE:BECON WEIR OR Equivalent Or As per Sample, MODEL:CNX 300-500	NO	1		
21	RO Plant Cartridge filter tank	MOC:SS 316L,MAX PR:6BAR.SIZE:AS PER SAMPLE	NO	2		
Total Contract Amount (in INR) (Excluding GST)						

Note:

1. Quoted Price shall be inclusive of all other Taxes and exclusive of GST.
2. Bidders are requested to quote the rates strictly as per the terms and conditions mentioned in the Tender Document. Rate quoted by the bidder should be firm and no price increase will be allowed to the successful bidder during the supply period.
3. The bidder should quote price only on free delivery at our Project basis. The rates other than (FOR project basis) (our project basis) will not be considered.



- 4. Supply of all the material as per required quantity will be in scope of successful bidder for items listed in BOQ of this tender to complete the job will be under Bidder's scope.**



Format for e-Bank Guarantee towards EMD

Please note the following details for Compulsory e-confirmation for Bank Guarantee through Bank of Baroda through SFMS under our:

2x125 MW Akrimota Thermal Power Station,
Gujarat Mineral Development Corporation Limited (GMDC)
Nani chher, Ta:Lakhpat, Kutch:370602

Bank Name: Bank of Baroda, Panandhro Branch, Panandhro, Ta:Lakhpat, Kutch-370601
RTGS IFS Code: BARB0DBPDRO (FIFTH DIGIT IS ZERO)

(On Non-judicial Stamp paper to be submitted along with submission of bids)

..... (Name of the Bank)
Address.....
Guarantee No.....
A/C Messrs..... (Name of Bidder)
Date of Expiry.....
Limit to liability (currency & amount)
Invitation for RFP No..... Dated..... (Bidding document)
For..... (Name of Facilities)

Subject: Earnest Money Deposit Bank Guarantee.

Date.....2024



To,

Gujarat Mineral Development Corporation Limited (GMDC)
2x125 MW Akrimota Thermal Power Station,
Village: Nanichher,
Taluka: Lakhapat,
District: Kutch,
Gujarat-370602

Dear Sir,

In consideration of Gujarat Mineral Development Corporation (hereinafter called "GMDC") which expression shall unless repugnant to the subject of context include his successors and assigns having agreed to exempt M/s..... (herein after called "Bidder") from demand under the terms and conditions of "Technical Bid Document" (hereinafter called the said "Bidding Document") issued by the GMDC vide RFP No. _____ for the work _____

(Name of the facilities) from Earnest Money Deposit (EMD) of Bid for the due fulfillment by the Bidder of the terms and conditions contained in the said Bidding Document on production of Bank Guarantee for INR _____ (_____ only) (figure in words).

- 1** We the _____ (Name of Bank) hereinafter referred to as "Bank" having our registered office at _____ (address of Bank) do hereby undertake and agree to indemnify and keep indemnified GMDC to extent of INR _____ (_____ only) (figures in words) against any losses, damage cost, charges and expenses caused to or suffered by or that may be caused or suffered by GMDC by reason of any breach or breaches by the Bidder of any of the terms and conditions contained in the said Bidding Document and unconditionally pay the amount claimed by GMDC on demand and without demur to the extent aforesaid.
- 2** We _____ (Name of Bank) do hereby undertake to pay the amounts due and payable under the guarantee without any demur merely on a demand by you stating that the amount claimed is due by way of loss or damage caused to or would be caused or suffered by you by reason of any breach by the said Bidder of any of the terms or conditions contained in the said Bidding Document by reason of the Bidder's failure to fulfil the conditions of said Bidding Document. Any such demand on the Bank shall be conclusive as regards the amount due and payable by the Bank under this guarantee. However, our liability under this guarantee shall be restricted to an amount not exceeding INR _____.
- 3** We _____ (Name of Bank) further agree that GMDC shall be the sole judge of and as to whether the Bidder has committed any breach or breaches of terms and conditions of the said Bidding Document and the extent of loss, damages, costs, charges and expenses caused to or suffered by or that may cause to or suffered by GMDC on account hereof to the extent of the Bid Security required to be deposited by the Bidder in respect of the said document and the decision of GMDC that the Bidder has committed such breach or breaches and as to the amount or amounts



of loss, damages, costs, charges, and expenses caused to or suffered by or that may be caused to or suffered by GMDC shall be final and binding on us.

- 4** We _____ (Name of Bank) further agree that guarantee herein contained shall remain in full force and effect during the period that would be taken for the performance on the said Bidding Document and that it shall continue to be enforceable till you certify that terms and conditions of the said Bidding Document have been fully and properly carried out by the said Bidder and accordingly discharge the guarantee. Unless a demand or claim under this guaranteed is made on us in writing on or before the (date) _____ we shall be discharged from all liability under this guarantee.
- 5** We _____ (Name of Bank) further agree with you that you have the fullest liberty without our consent and without affecting in any manner our obligations hereunder to vary any of the terms and conditions of the said Bidding Document or to extend time of performance by the said Bidder from time to time or to postpone for any time or from time to time any of the powers exercisable by you against the said Bidder and to forbear or enforce any of the terms and conditions relating to the said Bidding Document and we shall not be relieved from our liability by reason of any such variation or extension being granted to the said Bidder or for any forbearance act or omission on your part or any indulgence by you to the said Bidder or any such matter or thing whatsoever under the law relating to sureties would but for this provision have effect of so relieving us.
- 6** It shall not be necessary for GMDC to proceed against the Bidder before proceeding against the Bank and the Guarantee herein contained shall be enforceable against the Bank, notwithstanding any security which GMDC may have obtained from the Bidder at this time when proceeding is taken against Bank hereunder be outstanding or unrealized.
- 7** We _____ (Name of Bank) further undertake to unconditionally pay the amount claimed by GMDC merely on demand and without demur to the extent aforesaid.
- 8** We, the said Bank lastly undertake not to revoke this guarantee during its currency except with the previous consent of GMDC in writing.
- 9** This Guarantee will not be discharged due to the change in the constitution of the Bank or the said Bidder.
- 10** The Bank has under its constitution power to give this guarantee and Mr. _____ who has signed it on behalf of the Bank have authority to do so.

Yours faithfully

For.....
(Name of the Bank)

Notwithstanding anything contained hereinabove



- (I) Our liability under this Bank Guarantee shall not exceed **Rs** _____/- **(Rupees**
_____ **only)**
- (II) This Bank Guarantee is valid up to _____ (Date).
- (III) We are liable to pay the guaranteed amount or any part thereof under this bank Guarantee only and only if you serve upon us a written claim or a demand on or before _____(date).
- (IV) This bank guarantee is operative only when accompanied with SFMS advice from us.

Yours faithfully

For _____

(Name of the Bank)

Yours faithfully

For.....

(Name of the Bank)



FORMAT OF e-BANK GUARANTEE FOR SECURITY DEPOSIT (SD)

Please note the following details for Compulsory e-confirmation for Bank Guarantee through Bank of Baroda through SFMS under our:

2x125 MW Akrimota Thermal Power Station,
Gujarat Mineral Development Corporation Limited (GMDC)
Nani chher, Ta: Lakhpat, Kutch-370602
Bank Name: Bank of Baroda, Panandhro Branch, Panandhro, Ta: Lakhpat, Kutch-370601
RTGS IFS Code: BARB0DBPDRO (FIFTH DIGIT IS ZERO)

(On Non-judicial Stamp paper to be submitted along with submission of bids)

..... (Name of the Bank)
Address.....
Guarantee No.....
A/C Messrs..... (Name of Bidder)
Date of Expiry.....
Limit to liability (currency & amount)
Invitation for Tender No..... Dated..... (Bidding document)
For..... (Name of Facilities)

Subject: Security Deposit Bank Guarantee.

Date.....20

To,
Gujarat Mineral Development Corporation Limited (GMDC)
2 x125 MW Akrimota Thermal Power Station,
Village: Nanichher,
Taluka: Lakhpat,
District: Kutch,
Gujarat-370602

Dear Sir,

In consideration of Gujarat Mineral Development Corporation (hereinafter called "GMDC") which expression shall unless repugnant to the subject of context include his successors and assigns having agreed to exempt M/s..... (herein after called "Bidder") from demand under the terms and conditions of "Technical Bid Document" (hereinafter called the said "Bidding Document")



issued by the GMDC vide Tender No. _____ for the work _____

(Name of the facilities) from Security Deposit (SD) of Bid for the due fulfillment by the Bidder of the terms and conditions contained in the said Bidding Document on production of Bank Guarantee for INR _____

(_____ only) (figure in words).

11 We the _____ (Name of Bank) hereinafter referred to as “Bank” having our registered office at _____ (address of Bank) do hereby undertake and agree to indemnify and keep indemnified GMDC to extent of INR _____ (_____ only) (figures in words) against any losses, damage cost, charges and expenses caused to or suffered by or that may be caused or suffered by GMDC by reason of any breach or breaches by the Bidder of any of the terms and conditions contained in the said Bidding Document and unconditionally pay the amount claimed by GMDC on demand and without demur to the extent aforesaid.

12 We _____ (Name of Bank) do hereby undertake to pay the amounts due and payable under the guarantee without any demur merely on a demand by you stating that the amount claimed is due by way of loss or damage caused to or would be caused or suffered by you by reason of any breach by the said Bidder of any of the terms or conditions contained in the said Bidding Document by reason of the Bidder’s failure to fulfil the conditions of said Bidding Document. Any such demand on the Bank shall be conclusive as regards the amount due and payable by the Bank under this guarantee. However, our liability under this guarantee shall be restricted to an amount not exceeding INR _____.

13 We _____ (Name of Bank) further agree that GMDC shall be the sole judge of and as to whether the Bidder has committed any breach or breaches of terms and conditions of the said Bidding Document and the extent of loss, damages, costs, charges and expenses caused to or suffered by or that may caused to or suffered by GMDC on account hereof to the extent of the Bid Security required to be deposited by the Bidder in respect of the said document and the decision of GMDC that the Bidder has committed such breach or breaches and as to the amount or amounts of loss, damages, costs, charges, and expenses caused to or suffered by or that may be caused to or suffered by GMDC shall be final and binding on us.

14 We _____ (Name of Bank) further agree that guarantee herein contained shall remain in full force and effect during the period that would be taken for the performance on the said Bidding Document and that it shall continue to be enforceable till you certify that terms and conditions of the said Bidding Document have been fully and properly carried out by the said Bidder and accordingly discharge the guarantee. Unless a demand or claim under this guaranteed is made on us in writing on or before the (date) _____ we shall be discharged from all liability under this guarantee.

15 We _____ (Name of Bank) further agree with you that you have the fullest liberty without our consent and without affecting in any manner our obligations hereunder to vary any of the terms and conditions of the said Bidding Document or to extend time of performance by the said Bidder from time to time or to postpone for any time or from time to time any of the powers exercisable by you against the said Bidder and to forbear or enforce any of the terms and conditions relating to the said Bidding Document and we shall not be relieved from our liability by reason of any such variation or extension being granted to the said Bidder or for any forbearance act or omission on your part or



any indulgence by you to the said Bidder or any such matter or thing whatsoever under the law relating to sureties would but for this provision have effect of so relieving us.

- 16** It shall not be necessary for GMDC to proceed against the Bidder before proceeding against the Bank and the Guarantee herein contained shall be enforceable against the Bank, notwithstanding any security which GMDC may have obtained from the Bidder at this time when proceeding are taken against Bank hereunder be outstanding or unrealized.
- 17** We _____ (Name of Bank) further undertake to unconditionally pay the amount claimed by GMDC merely on demand and without demur to the extent aforesaid.
- 18** We, the said Bank lastly undertake not to revoke this guarantee during its currency except with the previous consent of GMDC in writing.
- 19** This Guarantee will not be discharged due to the change in the constitution of the Bank or the said bidder.
- 20** The Bank has under its constitution power to give this guarantee _____ and _____ Mr. _____ who has signed it on behalf of the Bank have authority to do so.

Yours faithfully

For.....

(Name of the Bank)

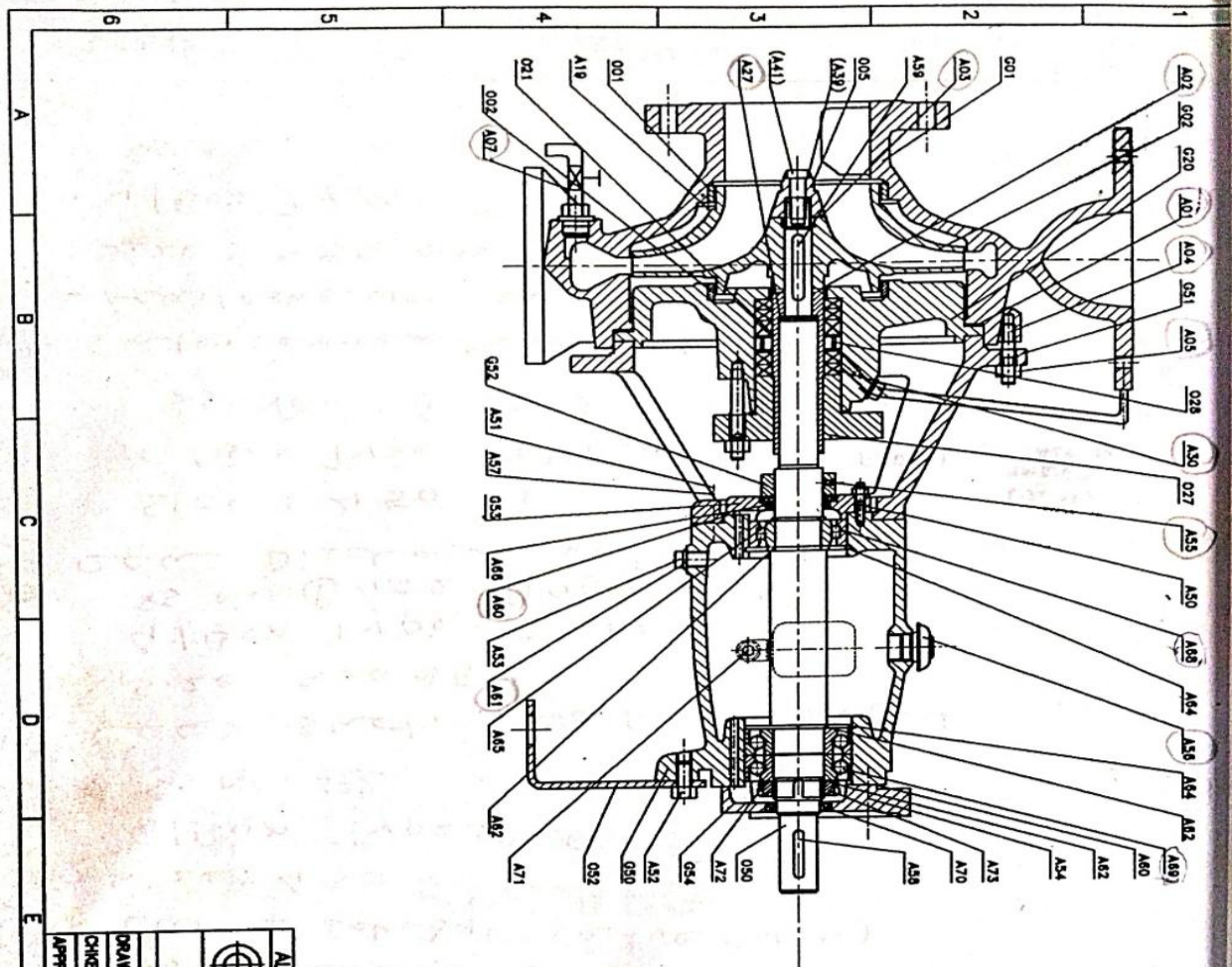
Notwithstanding anything contained hereinabove

- (V) Our liability under this Bank Guarantee shall not exceed **Rs** _____ /- (**Rupees** _____ **only**)
- (VI) This Bank Guarantee is valid up to _____ (Date).
- (VII) We are liable to pay the guarantee amount or any part thereof under this bank Guarantee only and only if you serve upon us a written claim or a demand on or before _____ (date).
- (VIII) This bank guarantee is operative only when accompanied with SFMS advice from us.

Yours faithfully

For.....

(Name of the Bank)



ITEM	DESCRIPTION	QTY
G01	VOLUTE CASING	1
G02	IMPELLER	1
G20	STUFFING BOX	1
G50	BEARING HOUSING	1
G51	LANTERN	1
G52	DEFLECTOR	1
G53	BRG. COVER-P.S.	1
G54	BRG. COVER-M.S.	1
001	WEAR RING-CASING	1
002	WEAR RING-ST. BOX	1
005	IMPELLER NUT	1
021	SHAFT SLEEVE	1
027	GLAND	1
028	WATER SEAL CAGE	1
050	SHAFT	1
051	SUPPORT FOOT	1
A01	GASKET	1
A02	GASKET	1
A03	GASKET	1
A04	STUD	12
A05	HEXAGON NUT	12
A07	3/4" Valve, Pipe	1
A27	GASKET	1
A30	PACKING	1
A31	STUD-GLAND	4

ITEM	DESCRIPTION	QTY
A32	HEX. NUT-GLAND	1
A50	HEXAGON SCREW	1
A51	STUD	1
A52	HEXAGON SCREW	1
A53	SCREW PLUG	1
A54	HEXAGON SCREW	1
A55	THREADED PIN	1
A56	VENT	1
A57	HEXAGON NUT	1
A58	KEY-COUPLING	1
A59	KEY-IMPELLER	1
A60	GASKET-P.S.	1
A60	GASKET-M.S.	1
A61	GASKET	1
A62	SUPPORT DISK	1
A64	CIRCLIP INSIDE	1
A65	CIRCLIP OUTSIDE	1
A66	OIL SEAL-P.S.	1
A68	ROLLER BEARING	314
A69	ANGULAR CONTACT BALL BEARING	314
A70	OIL SEAL-M.S.	1
A71	CONS. LEVEL OILER	1
A72	LOCK WASHER	1
A73	SHAFT NUT	1

ALL DIMENSIONS ARE IN MILLIMETER UNLESS OTHERWISE SPECIFIED

CROSS SECTION DRAWING

CUSTOMER TAG NO: M/S. GMDC
 CUSTOMER TAG NO: ACW,CCW,ASH COOLER PUMPS

SCALE: N.T.S.
 INITIAL DATE: [] [] [] [] [] []

DESIGNER: [] [] [] [] [] []
 CHECKED: [] [] [] [] [] []
 APPROVED: [] [] [] [] [] []

BEACON WEIR LTD.
 CHENNAI-98.

SHEET 1 OF 1



CCW ✓	ACW	Ash cooler ✓
CNX: 400-500	CNX - 400 → 400	CNX: 300-500
<u>Bearings:</u>		
DE - 7318	DE - 7314 ^{BECBI} SKF	- same -
NDE - NU318	NDE - NU314 ECT SKF	
<u>Oil seal:</u>		
DE:	DE:	DE:
90 x 110 x 12	70 x 90 x 10	
NDE:	NDE:	NDE:
85 x 110 x 12	62 x 85 x 10	
SS No.	SS No.	SS No.
① 110009	① 106603	① 110203
② 109903	② 109603	② 110103
③ 109803	③ 109703	③ 106503
Imp. Dia - 465 mm.	Imp. Dia - 475 mm	Imp. Dia - 433 mm
<u>coupling details:</u>		
LM 520/270	LM 220/325	LM 360/180
• Suction Valve:	Suction Valve:	Suction: (03 nos.)
500 NB (03 nos.) man	500 NB (03 nos.) man	350 NB. man
• Dis. Valve:	Discharge Valve:	Discharge:
450 NB (MOV)	450 NB (MOV)	300 NB (MOV)
• Inner connecting Valve CW to ACW/Ash cooler		
• Suction:	550 NB - 02 nos.	
• Discharge:	550 NB. - 02 nos.	
• PHE inlet/outlet	: 450 NB x ④ x 3 = 12 nos. total.	



**Instruction Manual
Uniglide Pump
Type SD - Horizontal**

IM-UG-SD-H 001

Page 20/20



Beacon Weir Ltd., 28, Industrial Estate (North) Ambattur, Chennai-600098.
Tel: 625 0838 / 625 4734 / 623 2797 Fax: +91-44-625 8628
Email: beaconpumps@vsnl.com

Regional Offices

MUMBAI

104, First floor, Trade Corner,
Ancheri-Kurla Road,
Sakinaka Junction, Sakinaka, Andheri,
Mumbai- 400 072.
Ph.: 022-8515231 Fax: 022-8515230

CALCUTTA

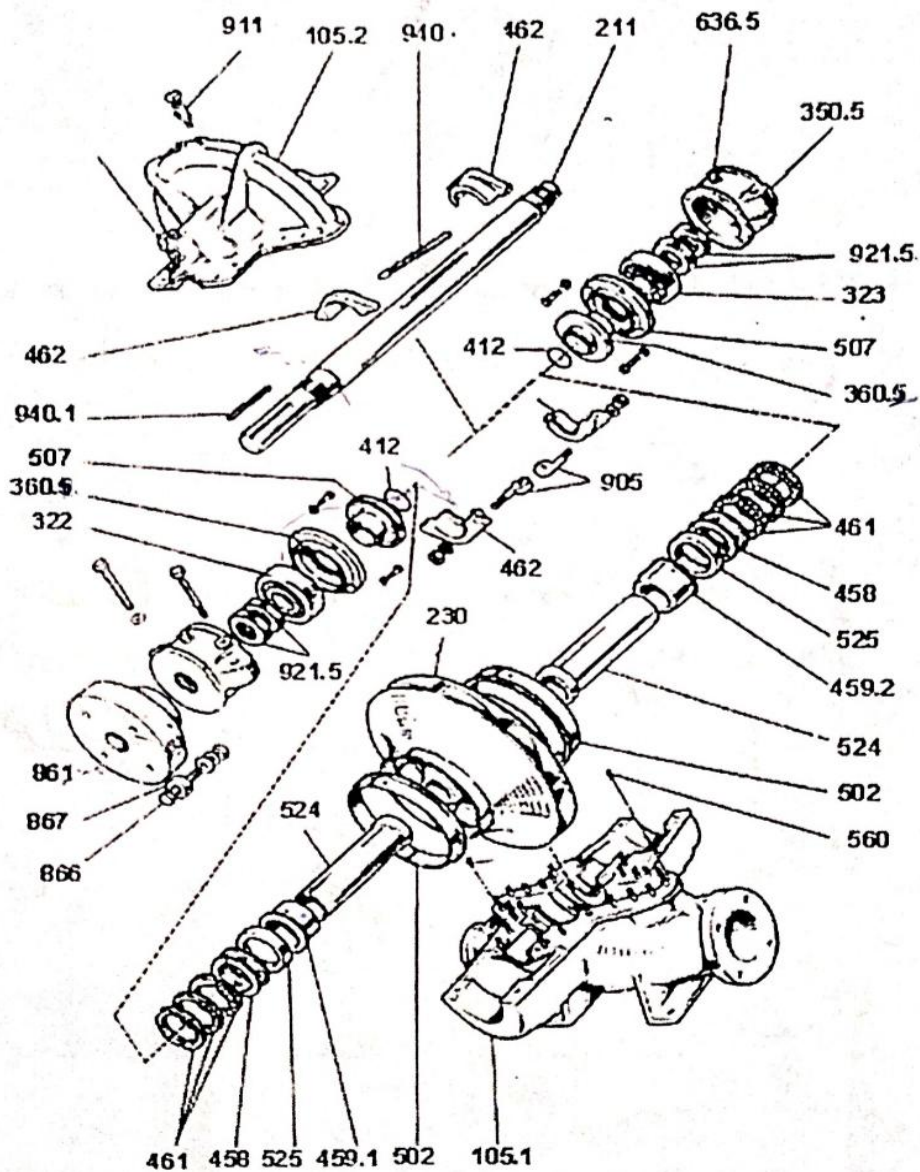
P3, Suhrawardy Avenue,
2nd floor, P.o. Box No. 16002,
Calcutta - 700 017
Ph.: 033-2451352
Fax: 033-2846768

NEW DELHI

Vandhana Building,
12th floor, 11, Tostoy marg.,
New Delhi - 110 001.
Ph. : 011-3326338
Fax : 011-3326339
Email: best_crompton@vsnl.net

14. Pump Cross sectional and Exploded view

14.1 Pump exploded view



Refer page No. 19 for Component Nomenclature

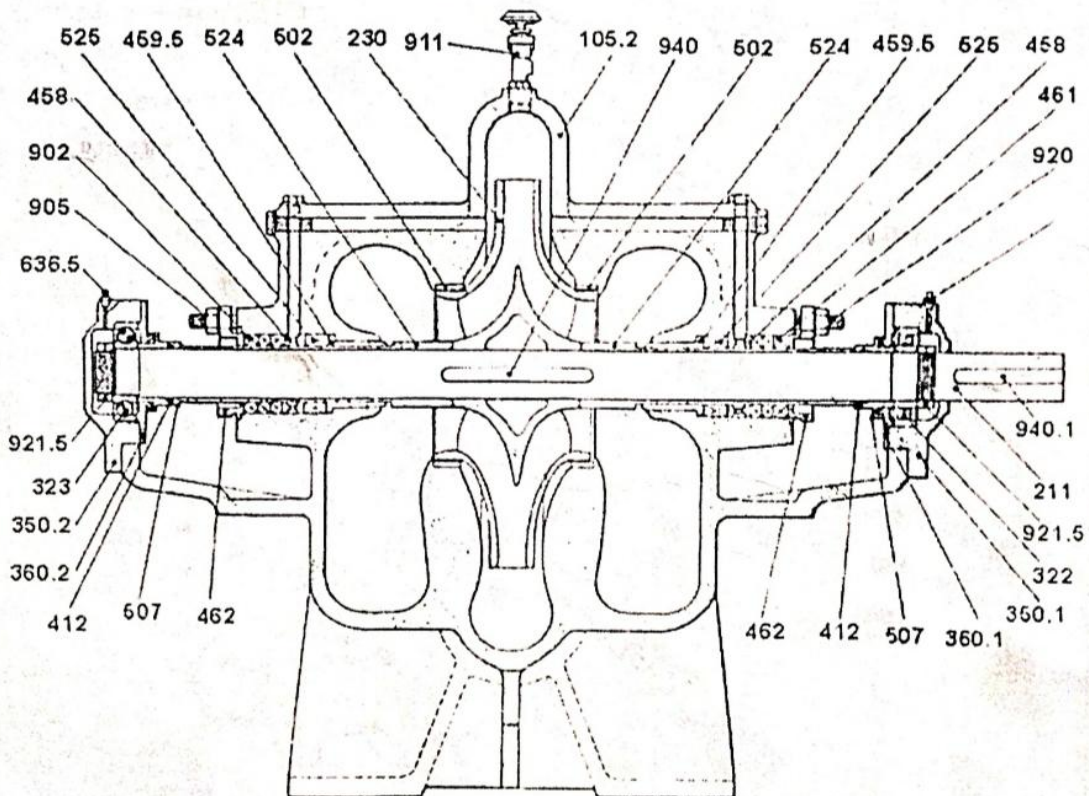


beacon
WEAR

Instruction Manual Uniglide Pump Type SD - Horizontal

IM-UG-SD-H001
Page 18 / 20

14.2 Pump cross sectional view



Refer page No. 19 for Component Nomenclature



Instruction Manual Uniglide Pump - Type SD - Horizontal

IM-UG-SD-H001

Page 19/20

COMPONENTS NOMENCLATURE

✓ 105.1	CASING HALF - LOWER
✓ 105.2	CASING HALF - UPPER
✓ 211	PUMP SHAFT
✓ 230	IMPELLER
✓ 322	CYLINDRICAL ROLLER BEDRING C311 NBC - SKF
✓ 323	THRUST BALL BEARING N 311 EC - SKF
✓ 350.1	BEARING HOUSING - DRIVE END
✓ 350.2	BEARING HOUSING - NON DRIVE END
✓ 360.1	BEARING COVER - DRIVE END
✓ 360.2	BEARING COVER - NON DRIVE END
✓ 412	'O' RING
✓ 458	LANTERN RING
✓ 459.1	STUFFING BOX BUSH
✓ 459.2	STUFFING BOX BUSH
✓ 461	STUFFING BOX PACKING
✓ 462	STUFFING BOX GLANDS
✓ 502	CASING WEAR RING
✓ 507	THROWER
✓ 524	SHAFT SLEEVE
✓ 525	SPACER SLEEVE
✓ 560	PIN
✓ 636.1/2	GREASE NIPPLES
✓ 861	COUPLING HALF
✓ 866	COUPLING PIN
✓ 867	COUPLING BUSH
✓ 905	TIE-BOLT
✓ 911	PRIMING PLUG
✓ 920	NUTS
✓ 921.1 / 2	SHAFT NUTS
✓ 940	KEY
✓ 940.1	COUPLING KEY